

ET-3216A is an audio matrix with duplex recorder, audio compression detect input and broadcast output, each matrix can connect 32 audio inputs and 16 audio outputs, you can easily switch to any audio channel. ET-3216A is built with modular panel, can add/subtract input/output and electronic board modular panel to form different combinations. Customer can add additional matrix according to their needs, from 1 input to 320 inputs and from 1 output to 160 outputs.



Audio matrix contains independent amplifier for every audio channel, input/output both contain digital device to adjust audio compression for every channel.

ET-3216A Audio Matrix uses standard 3U case, contain 4 groups of slots, one is 16 audio communication slot, another is 16 audio input/output slot, then one CPU slot, and lastly one power supply slot.

Customer can choose to use these 16 audio communication slot, 16 audio input/output slot according to their system's needs (Every ET-3216A can place maximum 16 audio input/output card). When you need extra audio channels just place audio input/output card in the empty slots. If problem exist for the input/output card, just remove the card with the problem and undergo hot plug/removal maintenance and repair.

ET-3216 Audio Matrix Control Unit Features:

- 16 Audio control cards – Each of the control card has one power light, one audio channel light and 3 audio adjust devices (MIC_GAIN, BEEP and SPK_VOL).
- CPU – 4 LED light (Power, TX, NTX, and RX light) and LED monitor, provide customer Power performance and controller's address.
- 16 Audio input/output – responsible for connecting with external, internal communication devices. Each card has 4 audio input, one audio output and one Cascade IN, these are used for connecting internal, external phone devices with the next audio matrix.
- Power Supply Card – Provides each card with power. Has a LED light on the card to display the performance.

In each MEGAsys system, it can connect up to 100 audio matrix control units (vertically and horizontally together).

ET3216A's Functions and Qualities:

- 32 Audio input/output line (fully dual communication)
- 16 Audio Output
- 16 Cascade IN
- Can connect external phone devices
- Can adjust the number of Audio Input with flexibility (Vertically)
- Can adjust the number of Audio Output with flexibility (Horizontally)
- Equipped with 2 Monitor, to display Controller's address.
- Easy to expand, maintain and service
- 3 independently built audio adjust devices

Specifications:

Power Input: AC 100V-220V, 50/60Hz

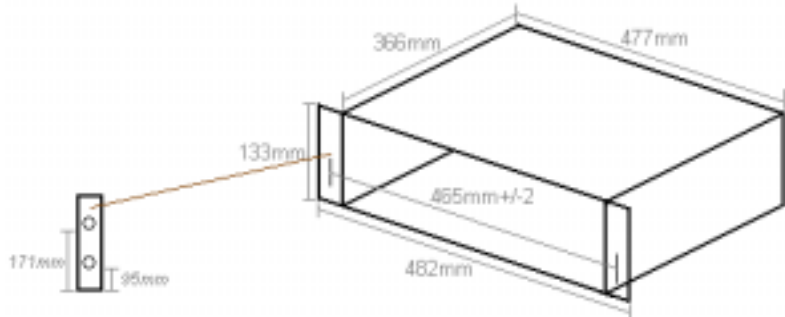
Power Supply: 8V DC

Communication: RS-422

Transmission Speed: 9600 Baud

Transmission Distance: Maximum 1200Km in between each Audio Matrix

Signal Amplification: 48dB
Cabling: 22AWG, one pair Belden 8723 or equivalent
Dimensions: 133mm x 482mm x 366mm (H x W x D)
Weight: 7Kg



Accessories:

- ◇ ET-3200AGF -
- ◇ ET-3201ASC – Audio Control Card
- ◇ ET-3202PSC – Power Supply Modular
- ◇ ET-3203ACPU – CPU card
- ◇ ET-3204AIC – Audio input/output card
- ◆ If system requires extra audio output (Horizontally), then will need to use Audio Amplifier device.
- ◆ For Information on Audio Amplifier devices and applications, please contact MEGAsys customer services.



ET-3216 Back View

Network Preface

Unit can add TCP/IP 10/100 M Base Network card, connect using RJ-45, providing internet connection for MEGAsys to coordinate online.

Can directly uses IP address or Serial Port Redirector, speed range from 300bps to 115.2Kbps, can use protocols like UDP, TCP, Telnet, ICMP, SNMP, TFTP and HTTP.

- Network type Model number: ET-3216A-L
- Standard type Model number: ET-3216A